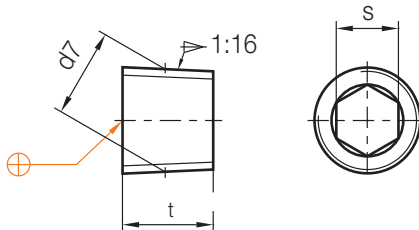


Z94/...

Verschlusschraube, mit Kegelgewinde
 Shut-off screw, with tapered thread
 Vis d'arrêt, avec filetage conique

Mat.: 2.0401
 DIN 906



Neu / New / Nouveau

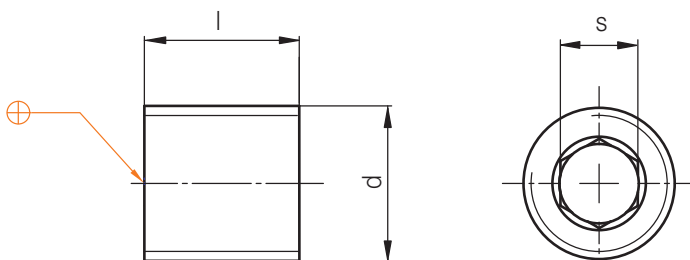
| | s | t | d ₇ | Nr./No. |
|----|----|-----------------|-----------------|------------|
| 10 | 3 | 5 | M 5x0,5 | Z94/ 5x0,5 |
| | | 8 | M 7x1 | 7x1 |
| | 4 | | M 8x0,75 | 8x0,75 |
| | | | M 9x1 | 9x1 |
| | | | M 10x1 | 10x1 |
| | 6 | | M 11x1 | 11x1 |
| | | | M 12x1,5 | 12x1,5 |
| 7 | 10 | M 14x1,5 | 14x1,5 | |

| | s | t | d ₇ | Nr./No. |
|----|----|----|----------------|-----------|
| 10 | 5 | 8 | R1/8A | Z94/ R1/8 |
| | 7 | 10 | R1/4A | R1/4 |
| | 8 | | R3/8A | R3/8 |
| | 10 | | R1/2A | R1/2 |
| | | | | |
| | | | | |
| | | | | |

Z940/...

Verschlusschraube, zylindrisch
 Shut-off screw, cylindrical
 Vis d'arrêt, cylindrique

Mat.: 2.0401



Neu / New / Nouveau

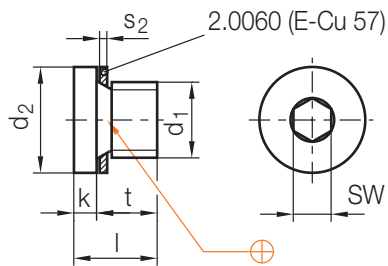
| | l | s | d | Nr./No. |
|----|---|---|-----------------|-----------|
| 10 | 8 | 3 | M 7x1 | Z940/ 7x1 |
| | | 4 | M 8x0,75 | 8x0,75 |
| | 5 | | M 9x1 | 9x1 |
| | | | M 10x1 | 10x1 |
| | | | M 11x1 | 11x1 |
| | 6 | | M 12x1,5 | 12x1,5 |
| | | | M 14x1,5 | 14x1,5 |
| 10 | 7 | | | |

| | l | s | d | Nr./No. |
|----|----|---|--------------|------------|
| 10 | 8 | 5 | G1/8A | Z940/ R1/8 |
| | | 7 | G1/4A | R1/4 |
| | 10 | 8 | G3/8A | R3/8 |
| | | | G1/2A | R1/2 |
| | | | | |
| | | | | |
| | | | | |


Z941/...

Verschlusschraube, mit Bund
 Shut-off screw, headed
 Vis d'arrêt, avec joint

Mat.: 2.0401
 ≈ DIN 908



Neu / New / Nouveau

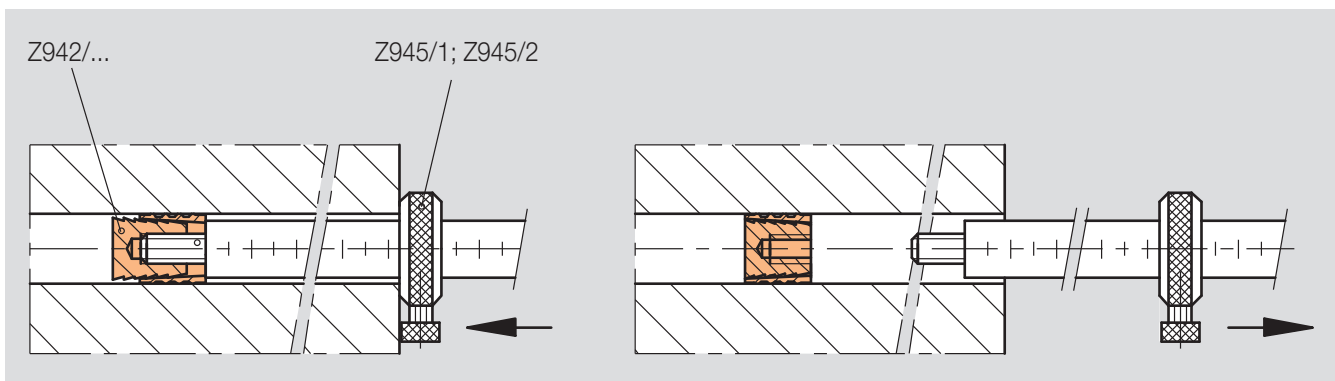
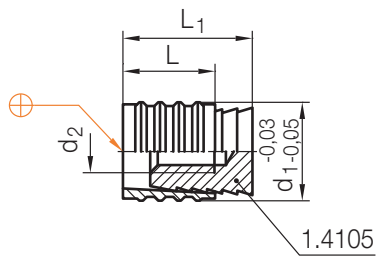
|  | SW | k | s ₂ | t | l | d ₂ | d ₁ | Nr./No. |
|---|----|---|----------------|----|----|----------------|----------------|--------------|
| 5 | 4 | 3 | 1 | 8 | 11 | 11 | M 7x1 | Z941/ 7x1 |
| | 5 | | | | | M 9x1 | 9x1 | |
| | | | | | | M10x1 | 10x1 | |
| | | | | | | M11x1 | 11x1 | |
| | 6 | | 1,5 | 12 | 15 | 17 | M12x1,5 | 12x1,5 |
| | | | | | | 19 | M14x1,5 | 14x1,5 |
| | 5 | 3 | 1 | 8 | 11 | 14 | G1/8A | Z941/ R1/8 |
| | 6 | | | | | G1/4A | R1/4 | |
| | 8 | | | | | G3/8A | R3/8 | |
| | 10 | 4 | | | 14 | 18 | 26 | G1/2A |

8

Z942/...

Verschlussstopfen
Sealing plug
Bouchon de fermeture

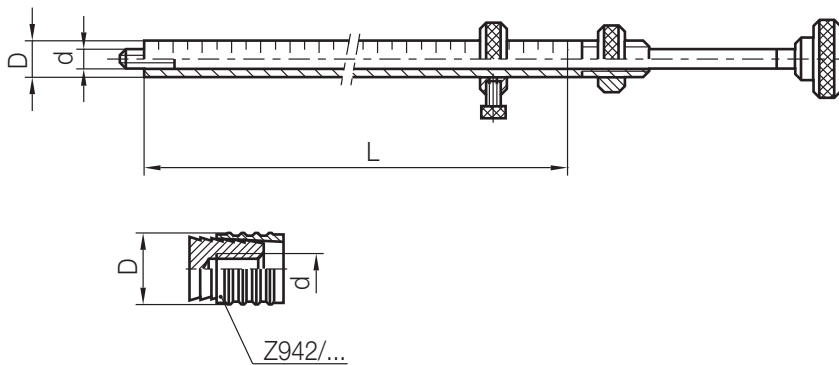
Mat.: 2.0401



|  | L ₁ | L | d ₂ | d ₁ | Nr./No. |
|---|----------------|----|----------------|----------------|---------|
| 5 | 11,5 | 8 | M3 | 6 | Z942/ 6 |
| | | | | 8 | 8 |
| | 14 | 10 | M6 | 10 | 10 |
| | | | | 12 | 12 |
| | | | | 15 | 15 |
| 16 | 12 | M8 | 15 | 15 | |
| | | | 16 | 16 | |

Z945/1

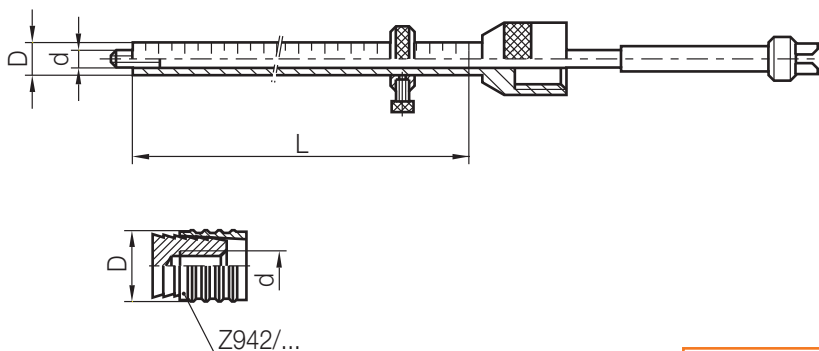
Montage-Set
 Assembly set
 Kit de montage



| Z942/... | | | | | |
|----------|----|----|-----|-----|---------|
| | d | D | L | Typ | Nr./No. |
| 25 | M3 | 6 | 150 | 1 | Z945/1 |
| | M4 | 8 | 200 | | |
| | M6 | 10 | 250 | | |

Z945/2

Montage-Set
 Assembly set
 Kit de montage

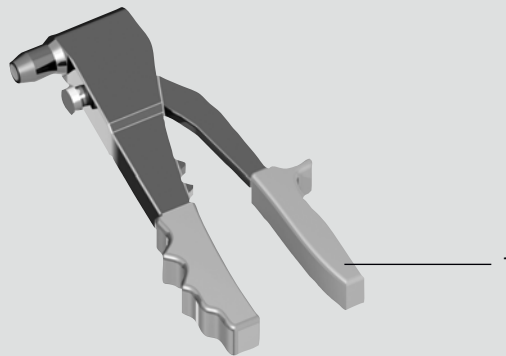


| Z942/... | | | | | |
|----------|----|----|-----|-----|---------|
| | d | D | L | Typ | Nr./No. |
| 25 | M6 | 10 | 250 | 2 | Z945/2 |
| 20 | | 12 | | | |
| 15 | M8 | 16 | | | |

Z945/1

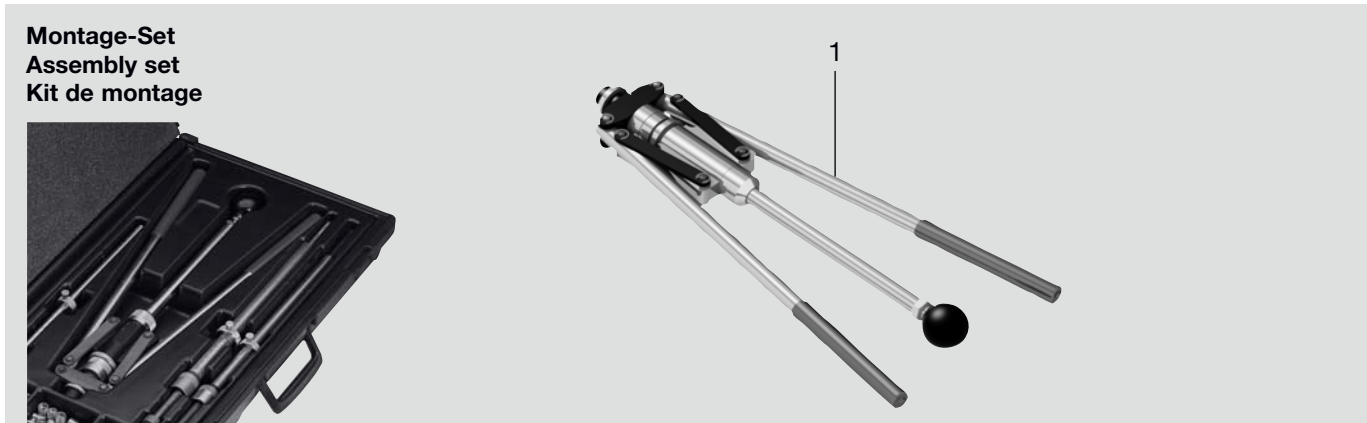
Ersatzteile
Spare parts
Pièces détachées

Montage-Set
Assembly set
Kit de montage



| Pos. | Benennung | Designation | Désignation | Stück Quantity Pièce |
|------|--------------|-----------------|------------------|----------------------------|
| 1 | Montagezange | Mounting pliers | Pince de montage | 1 |

| | |
|----------------|------------|
| Nr./No. | 1 |
| Z945/1 | Z945/1/... |
| | ...-01/E |

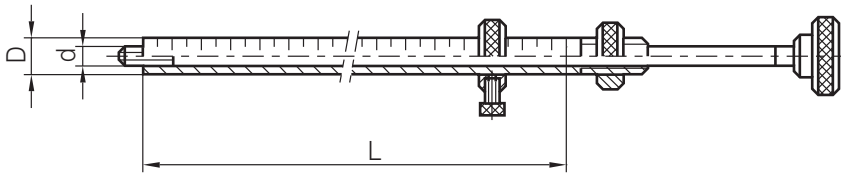


| Pos. | Benennung | Designation | Désignation | Stück Quantity Pièce |
|------|--------------|-----------------|------------------|----------------------------|
| 1 | Montagezange | Mounting pliers | Pince de montage | 1 |

| | |
|----------------|------------|
| Nr./No. | 1 |
| Z945/2 | Z945/2/... |
| | ... - 01/E |

Z947/1/...

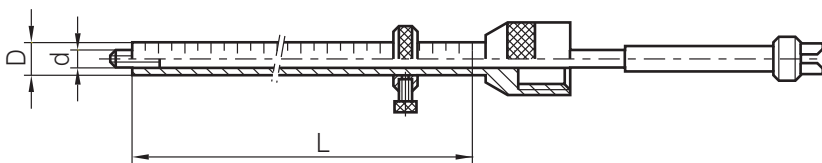
Montagegange
Mounting tube
Tige de montage



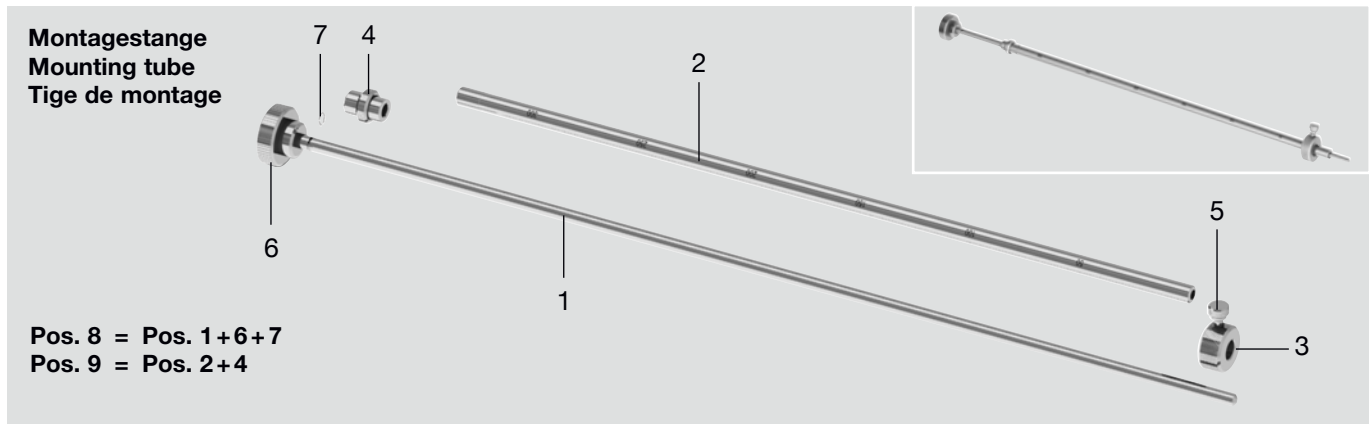
| Z945/1 | d | Typ | D | L | Nr./No. |
|--------|----|-----|----|-----|---------------|
| X | M4 | 1 | 8 | 315 | Z947/1/ 8x315 |
| | M6 | | 10 | 400 | 10x400 |

Z947/2/...

Montagegange
Mounting tube
Tige de montage



| Z945/2 | d | Typ | D | L | Nr./No. |
|--------|----|-----|----|-----|---------------|
| X | M6 | 2 | 12 | 630 | Z947/2/12x630 |
| | M8 | | 15 | 250 | 15x250 |
| | | | 16 | 800 | 16x800 |



| Pos. | Benennung | Designation | Désignation | Stück Quantity Pièce |
|------|-----------------|-----------------|--------------------------|----------------------------|
| 1 | Gewindestange | Threaded rod | Tige filetée | 1 |
| 2 | Rohr | Tube | Tube | 1 |
| 3 | Einstellscheibe | Aligning washer | Molette de butée | 1 |
| 4 | Kontermutter | Lock nut | Contre-écrou | 1 |
| 5 | Rändelschraube | Knurled screw | Vis de bloquage | 1 |
| 6 | Rändelmutter | Knurled nut | Ecrou de vissage bouchon | 1 |
| 7 | Sprengring | Snap ring | Rondelle-ressort | 1 |
| 8 | Zugstange | Pulling bar | Tige de traction | 1 |
| 9 | Skalenrohr | Scale tube | Tube gradué | 1 |

| Nr./No. | 1 Z947/1/... | 2 Z947/1/... | 3 Z947/1/... | 4 Z947/1/... |
|-----------------|-----------------|-----------------|-----------------|-----------------|
| Z947/1/10x250/E | ...10x250-01/B | ...10x250-02/B | ...10x400-03/B | ...8x315-04/B |
| 10x400 | ...10x400-01/B | ...10x400-02/B | | |

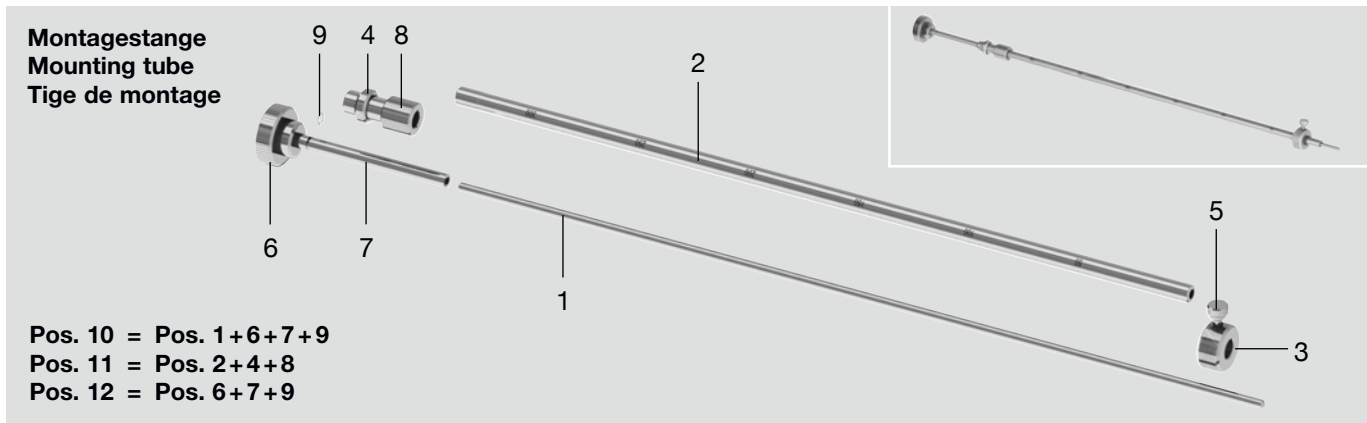
| Nr./No. | 5 Z947/1/... | 6 Z947/1/... | 7 | 8 Z947/1/... |
|-----------------|-----------------|-----------------|---------------|-----------------|
| Z947/1/10x250/E | ...8x315-05/B | ...8x315-06/B | ...8x315-09/B | ...10x250-08/E |
| 10x400 | | | | ...10x400-08/E |

| Nr./No. | 9 Z947/1/... |
|-----------------|-----------------|
| Z947/1/10x250/E | ...10x250-09/E |
| 10x400 | ...10x400-09/E |

Z947/1

D = 6 (M3)
8 (M4)

Ersatzteile
Spare parts
Pièces détachées



| Pos. | Benennung | Designation | Désignation | Stück Quantity Pièce |
|------|------------------------------|----------------------------------|------------------------------------|----------------------------|
| 1 | Gewindestange | Threaded rod | Tige filetée | 1 |
| 2 | Rohr | Tube | Tube | 1 |
| 3 | Einstellscheibe | Aligning washer | Molette de butée | 1 |
| 4 | Kontermutter | Lock nut | Contre-écrou | 1 |
| 5 | Rändelschraube | Knurled screw | Vis de blocage | 1 |
| 6 | Rändelmutter | Knurled nut | Ecrou de vissage bouchon | 1 |
| 7 | Gewindedorn | Threaded mandrel | Tube taraudé | 1 |
| 8 | Mundstück | Die | Embout | 1 |
| 9 | Sprengring | Snap ring | Rondelle-ressort | 1 |
| 10 | Zugstange | Pulling bar | Tige de traction | 1 |
| 11 | Skalenrohr | Scale tube | Tube gradué | 1 |
| 12 | Zugstange ohne Gewindestange | Pulling bar without threaded rod | Tige de traction sans tige filetée | 1 |

| Nr./No. | 1 Z947/1/... | 2 Z947/1/... | 3 Z947/1/... | 4 Z947/1/... |
|-----------------|-----------------|-----------------|-----------------|-----------------|
| Z947/1/ 6x150/E | ... 6x150-01/B | ... 6x150-02/B | ... 6x150-03/B | ... 8x315-04/B |
| 8x200/E | ... 8x200-01/B | ... 8x200-02/B | ... 8x315-03/B | |
| 8x315 | ... 8x315-01/B | ... 8x315-02/B | | |

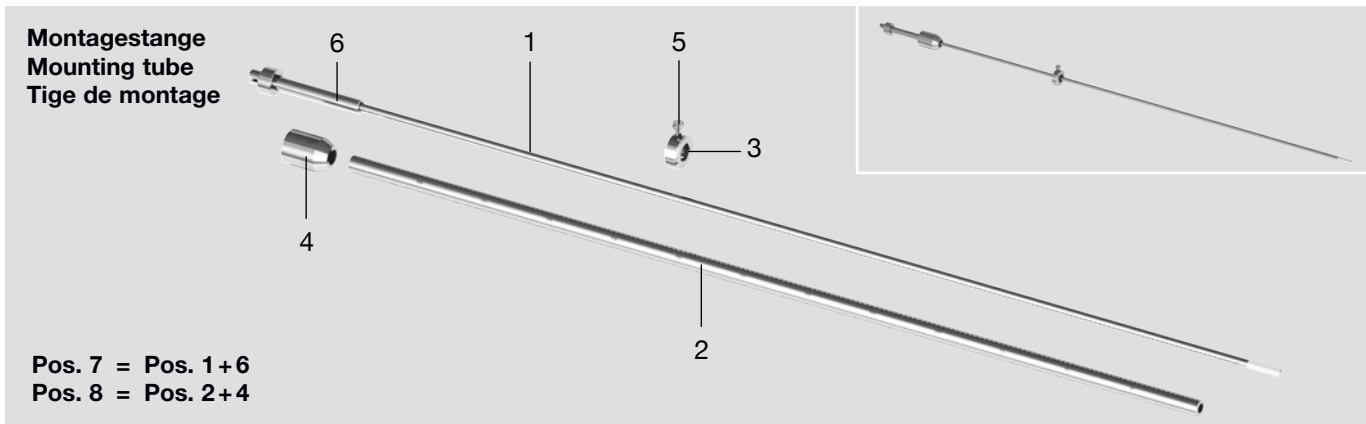
| Nr./No. | 5 Z947/1/... | 6 Z947/1/... | 7 | 8 Z947/1/... |
|-----------------|-----------------|-----------------|--|-----------------|
| Z947/1/ 6x150/E | ... 8x315-05/B | ... 8x315-06/B | nicht als Ersatzteil verfügbar not available as spare part n'est pas disponible en pièce détachée | ... 6x150-08/B |
| 8x200/E | | | | ... 8x315-08/B |
| 8x315 | | | | |

| Nr./No. | 9 Z947/1/... | 10 Z947/1/... | 11 Z947/1/... | 12 Z947/1/... |
|-----------------|-----------------|------------------|------------------|------------------|
| Z947/1/ 6x150/E | ... 8x315-09/B | ... 6x150-10/E | ... 6x150-11/E | ... 6x150-12/B |
| 8x200/E | | ... 8x200-10/E | ... 8x200-11/E | ... 8x200-12/B |
| 8x315 | | ... 8x315-10/E | ... 8x315-11/E | ... 8x315-12/B |

Z947/2

D = 10/12 (M6)
15/16 (M8)

Ersatzteile
Spare parts
Pièces détachées



| Pos. | Benennung | Designation | Désignation | Stück Quantity Pièce |
|------|-----------------|-----------------|------------------|----------------------------|
| 1 | Gewindestange | Threaded rod | Tige filetée | 1 |
| 2 | Rohr | Tube | Tube | 1 |
| 3 | Einstellscheibe | Aligning washer | Molette de butée | 1 |
| 4 | Mundstück | Die | Embout | 1 |
| 5 | Rändelschraube | Knurled screw | Vis de bloquage | 1 |
| 6 | Dornhalter | Mandrel support | Support d'embout | 1 |
| 7 | Zugstange | Pulling bar | Tige de traction | 1 |
| 8 | Skalenrohr | Scale tube | Tube gradué | 1 |

| Nr./No. | 1 Z947/2/... | 2 Z947/2/... | 3 Z947/... | 4 Z947/2/... |
|-----------------|-----------------|-----------------|------------------|-----------------|
| Z947/2/10x250/E | ...12x250-01/B | ...10x250-02/B | ...1/10x400-03/B | ...10x250-04/B |
| 12x250/E | ...12x250-01/B | ...12x250-02/B | ...2/12x630-03/B | ...12x630-04/B |
| 12x630 | ...12x630-01/B | ...12x630-02/B | ...2/16x800-03/B | ...16x800-04/B |
| 15x250 | ...16x250-01/B | ...15x250-02/B | | |
| 16x250/E | ...16x250-01/B | ...16x250-02/B | | |
| 16x800 | ...16x800-01/B | ...16x800-02/B | | |

| Nr./No. | 5 Z947/1/... | 6 Z947/2/... | 7 Z947/2/... | 8 Z947/2/... |
|-----------------|-----------------|-----------------|-----------------|-----------------|
| Z947/2/10x250/E | ...8x315-05/B | ...12x630-06/B | ...10x250-07/E | ...10x250-08/E |
| 12x250/E | | | ...12x250-07/E | ...12x250-08/E |
| 12x630 | | | ...12x630-07/E | ...12x630-08/E |
| 15x250/E | | | ...16x250-07/E | ...15x250-08/E |
| 16x250/E | | | ...16x250-07/E | ...16x250-08/E |
| 16x800 | | | ...16x800-07/E | ...16x800-08/E |